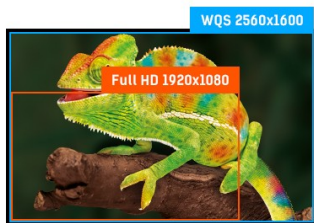


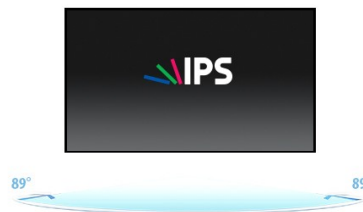


30" AH-IPS LED-backlit screen capable of displaying 109% AdobeRGB, 146% sRGB and 104% NTSC colours
 The high colour gamut iiyama XB3070WQS is the perfect choice for graphic and web-design. It features WQS (2560 x 1600) resolution offering huge workspace allowing users to display and manipulate multiple applications at the same time.
 The AH-IPS matrix guarantees high performance with accurate and consistent colour reproduction, wide viewing angles and a fast response time.
 Optimal viewing comfort is guaranteed by the height adjustable stand.



WQS

16: 10; 2560 x 1600 (4.1 megapixel)



AH-IPS

The AH-IPS panel technology guarantees consistent colour reproduction with wide viewing angles and high contrast and therefore it is especially recommended for graphics design and other applications which require colours to be displayed accurately. The response time of the panel allows for smooth playback while watching films and playing games, making the IPS the best all-round technology suitable for both business and home use.

1. DISPLAY CHARACTERISTICS

DIAGONAL	30"; 75.6cm
PANEL	AH-IPS LED-backlit
DISPLAY AREA H X W	400.8 x 641.3 mm; 15.8" x 25.2"
RESPONSE TIME	5 ms
CONTRAST	1 000 : 1 typical
CONTRAST	5 000 000 : 1 ACR
BRIGHTNESS	350 cd/m ² typical
VIEWING ZONE	horizontal/vertical: 178° / 178°; right/left: 89° / 89°; up/down: 89° / 89°
PIXEL PITCH H X V	0.251 x 0.251 mm
NATIVE RESOLUTION	2560 x 1600 (4.1 megapixel)
HORIZONTAL SYNC	24 - 80 KHz
VERTICAL SYNC	55 - 75 Hz
SYNCHRONIZATION	Separate Sync
ASPECT RATIO	16 : 10
COLOUR RANGE	AdobeRGB: 109%, sRGB: 146%, 104% (NTSC)
DISPLAY COLOURS	16.7

2. INTERFACES & CONNECTORS

ANALOG INPUT CONNECTOR	VGA
DIGITAL INPUT CONNECTOR	DVI-D, HDMI, DisplayPort
HDCP	yes
HEADPHONE CONNECTOR	Yes
OUTPUT CONNECTOR	headphone socket

3. SPECIAL FEATURES

APPLE - MAC	All iiyama monitors are compatible with Apple-Macintosh computers.
PLUG & PLAY	VESA DDC2B™
CONTROLS	Via OSD in 9 languages (EN, FR, DE, NL, PL, RU, JP, Chinese (traditional and simplified)) and 7 front controls (Power, Volume +, Volume -, Input/ Select/ Blue Light Reducer, Scroll up/ Colour Adjust, Scroll down/ i-Style Colour, Menu)
USER CONTROLS	picture (brightness, contrast, ACR, ECO mode, OD), input select, audio (volume, mute, audio input), colour adjust, information, manual image adjust (H./V. position, clock, phase, sharpness, video mode adjust, blue light reducer), setup menu (OSD setup menu, language, opening logo, LED, auto image adjust, memory recall)
SPEAKERS	2 x 3 W (Stereo)
ANTI-THEFT-DEVICE	Kensington-lock™ prepared
CERTIFICATES	CE, TUV-GS, CU, VCCI-B, PSE
HEIGHT ADJUSTABLE STAND	Yes

HEIGHT ADJUSTMENT	107 mm
SWIVEL STAND	90°; 45° left; 45° right
TILT ANGLE	17° up; 0° down
VESA MOUNTING	100 x 100 mm
COLOUR	Black

4. ACCESSORIES

DRIVER	Windows 95 / 98 / 2000 / ME / XP / Vista/ 7 / 8
INCLUDED ACCESSORIES	power cable, DVI-D cable, DisplayPort cable, mDP-DP cable, audio cable, stand, quick start guide, safety guide

5. POWER MANAGEMENT

POWER SUPPLY	AC 100 - 240 V, 50 / 60 Hz
POWER SUPPLY UNIT	internal
POWER USAGE	73 W typical; max. 0.5 W in Power management mode
POWER MANAGEMENT	VESA DPMS, ENERGY STAR®

6. EU ENERGY EFFICIENCY LABEL

ENERGY EFFICIENCY CLASS	C
ON MODE POWER CONSUMPTION	71.3W
ANNUAL ENERGY CONSUMPTION	104 kWh/annum*
VISIBLE SCREEN DIAGONAL	76 cm; 30"; (30" segment)

This is information under Regulation (EU) No 1062/2010.

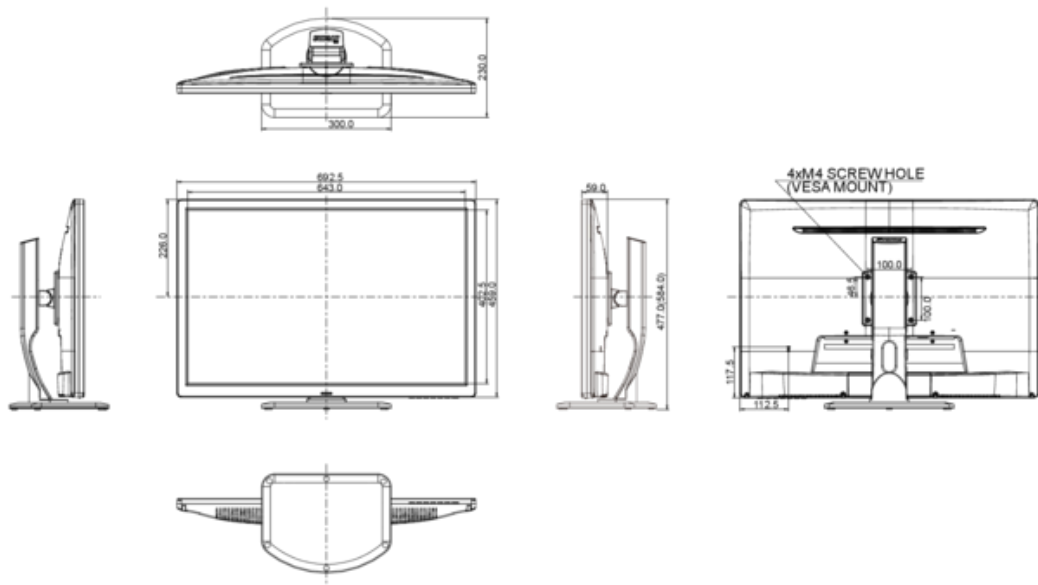
**Based on the power consumption of the television operating 4 hours per day for 365 days. The actual energy consumption will depend on how the television is used.*

7. EPEAT SILVER

EPEAT	EPEAT is a comprehensive environmental rating that helps identify greener computers and other electronic equipment. The Silver certification means the monitor meets all required criteria plus at least 50% of the optional requirements. EPEAT Silver is valid in countries where iiyama registers the product. Please visit www.epeat.net for the registration status in your country.
-------	--

8. DIMENSIONS & WEIGHT

DIMENSIONS W X H X D	692.5 x 477 (584) x 230 mm
WEIGHT	7.4 kg



All trademarks and registered trademarks acknowledged. E & O E. Specification subject to change without notice. All LCD's comply with ISO-9241-307:2008 in connection with pixel defects.

© IIYAMA CORPORATION (). ALL RIGHTS RESERVED.