



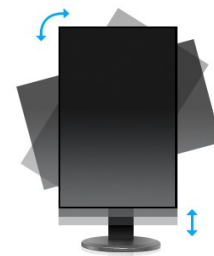
High-end 27" AMVA+ monitor featuring height adjustable stand

ProLite XB2783HSU - a 27" LED backlit LCD Screen featuring AMVA+ panel technology, guarantees accurate and consistent colour reproduction with wide viewing angles. Offering 24 bit 'True Colour' and great performance for displaying Black and White with the 3000:1 Native Contrast Ratio, means that the ProLite XB2783HSU will provide excellent performance for Photographic, Design and Web-design. The monitor features a height adjustable stand with PIVOT function making it also an excellent choice for Universities, Corporate and Financial Markets.



AMVA+

AMVA+ Panel technology offers 24 bit 'True Colour' performance and amazing viewing angles.



HAS + PIVOT

With a height adjustable stand you will create an ergonomic work posture and position that meets all health and safety requirements. This will not only prevent any health issues but will also increase your productivity. The pivot function allows the screen to rotate from landscape to portrait orientation. This functionality can be useful if the application requires more height than width.

1. DISPLAY CHARACTERISTICS

DIAGONAL	27"; 68.6cm
PANEL	AMVA+ LED
DISPLAY AREA H X W	335.66 x 596.74 mm; 13.2" x 23.5"
RESPONSE TIME	4 ms
CONTRAST	3 000 : 1 typical
CONTRAST	12 000 000 : 1 ACR
BRIGHTNESS	300 cd/m ² typical
VIEWING ZONE	horizontal/vertical: 178° / 178°; right/left: 89° / 89°; up/down: 89° / 89°
DISPLAY COLOUR	16.7 million
PIXEL PITCH H X V	0.311 x 0.311 mm
NATIVE RESOLUTION	Full HD 1080p, 1920 x 1080 (2.1 megapixel)
HORIZONTAL SYNC	30 - 80 KHz
VERTICAL SYNC	55 - 75 Hz
SYNCHRONIZATION	Separate sync
ASPECT RATIO	16 : 9
BLUE LIGHT REDUCER	yes
FLICKER FREE LED	yes

2. INTERFACES & CONNECTORS

ANALOG INPUT CONNECTOR	VGA
DIGITAL INPUT CONNECTOR	DVI-D, DisplayPort
HDCP	yes;
USB HUB	UP 1 x USB 2.0 / DOWN 2 x USB 2.0

3. SPECIAL FEATURES

APPLE - MAC	All iiyama monitors are compatible with Apple-Macintosh computers.
PLUG & PLAY	VESA DDC2B™
CONTROLS	Via OSD in 10 languages (EN, DE, FR, ES, IT, PL, NL, Chinese, RU, JP) and 6 front controls (Power, Menu/ Select, Scroll up/ Volume, Scroll down/ ECO, Exit, Auto)
USER CONTROLS	auto adjust, luminance (brightness, contrast), geometry (H. position, V. position, clock, phase), colour, OSD (H. position, V. position, timeout), language, recall, miscellaneous (sharpness, DDC/CI, display information, ACR, display mode, OD, opening logo), input select, audio adjust (volume, mute, DP audio), blue light reducer
SPEAKERS	2 x 1 W (Stereo)
ANTI-THEFT-DEVICE	Kensington-lock™ prepared
CERTIFICATES	TCO, CE, TÜV-GS, VCCI-B, PSE, CU
HEIGHT ADJUSTABLE STAND	Yes
HEIGHT ADJUSTMENT	130 mm

ROTATION (PIVOT FUNCTION)	90°
SWIVEL STAND	90°; 45° left; 45° right
TILT ANGLE	22° up; 5° down
VESA MOUNTING	100 x 100 mm
COLOUR	Black

4. ACCESSORIES

INCLUDED ACCESSORIES	power cable, DVI-D cable, DisplayPort cable, USB cable, audio cable, stan, quick start guide, safety guide
----------------------	--

5. POWER MANAGEMENT

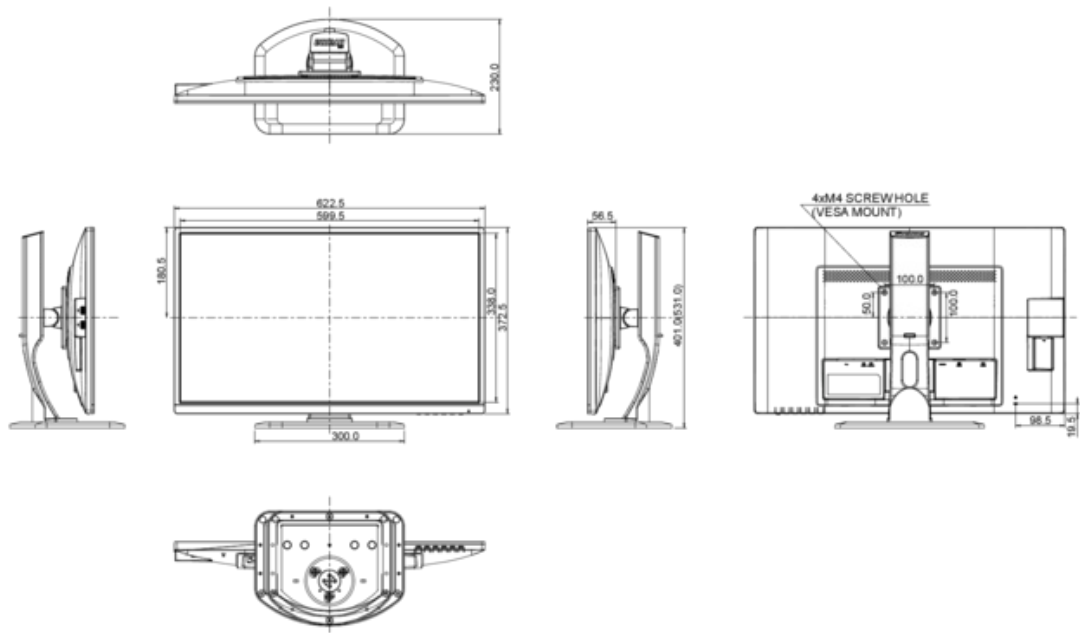
POWER SUPPLY	AC 100 - 240 V, 50 / 60 Hz
POWER SUPPLY UNIT	internal
POWER USAGE	33 W typical; max. 0.5 W in Power management mode
POWER MANAGEMENT	VESA DPMS, ENERGY STAR®

6. EPEAT SILVER

EPEAT	EPEAT is a comprehensive environmental rating that helps identify greener computers and other electronic equipment. The Silver certification means the monitor meets all required criteria plus at least 50% of the optional requirements. EPEAT Silver is valid in countries where iiyama registers the product. Please visit www.epeat.net for the registration status in your country.
-------	--

7. DIMENSIONS & WEIGHT

DIMENSIONS W X H X D	622.5 x 400.5 (530.5) x 230 mm
WEIGHT	6 kg



All trademarks and registered trademarks acknowledged. E & O E. Specification subject to change without notice. All LCD's comply with ISO-9241-307:2008 in connection with pixel defects.

© IIYAMA CORPORATION (). ALL RIGHTS RESERVED.