



ProLite T1532SR is an incredibly powerful touch solution based on the latest 5 Wire Resistive technology. Price / performance ratio is ideal for the budget conscious user while quality and specification is certainly not compromised. The display inputs include both Analogue and Digital (DVI) with Touchscreen connectivity via either USB or RS-232 which offers greater than typical flexibility. A solid and steady base supports the TouchScreen with an adjustable stand offering full 90 degree positioning angles. Extensive Touch Utilities allow for 4 point calibration and 9/25 point linerisation. Menu Buttons are located on the side of the screen which can be locked to prevent tampering, and includes a handy function to deactivate the Touch Screen for cleaning. In addition the bezel free design creates an eye-catching finish with high light transmission guaranteeing perfect picture clarity and brilliant colours.



#### TOUCH TECHNOLOGY - RESISTIVE

5-wire resistive touchscreens are very durable and can be used in a variety of environments. They are especially recommended for shops, restaurants and industrial purposes.



#### IP54

The IP Code classifies how resistant a device is to foreign objects and moisture. IP54 means that the monitor will operate in dusty conditions, and will resist splashing water.

## 1. DISPLAY CHARACTERISTICS

DIAGONAL	15"; 38cm
TOUCHTECHNOLOGY	resistive
PANEL	TN LED
DISPLAY AREA H X W	228 x 304 mm; 9" x 12"
RESPONSE TIME	8 ms
CONTRAST	700 : 1 with touch panel
BRIGHTNESS	350 cd/m <sup>2</sup> typical
BRIGHTNESS	280 cd/m <sup>2</sup> with touch panel
VIEWING ZONE	horizontal/vertical: 140° / 125° ; right/left: 70° / 70° ; up/down: 60° / 65°
DISPLAY COLOUR	16.7 million
PIXEL PITCH H X V	0.297 x 0.297 mm
NATIVE RESOLUTION	1024 x 768 ( 0.8 megapixel)
HORIZONTAL SYNC	31.5 - 60.2 KHz
VERTICAL SYNC	56 - 75 Hz
SYNCHRONIZATION	Separate Sync
ASPECT RATIO	4 : 3
LIGHT TRANSMITTANCE	80%
TYPE	bezel-free

## 2. INTERFACES & CONNECTORS

ANALOG INPUT CONNECTOR	VGA
DIGITAL INPUT CONNECTOR	DVI-D
INPUTS	USB, RS-232C

## 3. SPECIAL FEATURES

APPLE - MAC	OS9, OSX
PLUG & PLAY	VESA DDC 2B™
CONTROLS	On-Screen-Display in 8 languages (DE, EN, ES, FR, IT, JP, Chinese - traditional and simplified) and 5 front controls (Menu, Scroll up/ Brightness, Scroll down/ Mute, Select/ Auto, Power)
USER CONTROLS	contrast, brightness, auto adjust, H.position, V.position, H.size, phase, OSD H.position, OSD V.position, OSD timeout, reset, input select, OSD language, colour temperature, volume, mute
SPEAKERS	2 x 1 W (Stereo)
ANTI-THEFT-DEVICE	Kensington-lock™ prepared
SAFETY	CE, CB, TÜV-Bauart, CU, cULus, VCCI, IP54
TILT ANGLE	90° up; 5° down
VESA MOUNTING	100 x 100 mm

## 4. ACCESSORIES

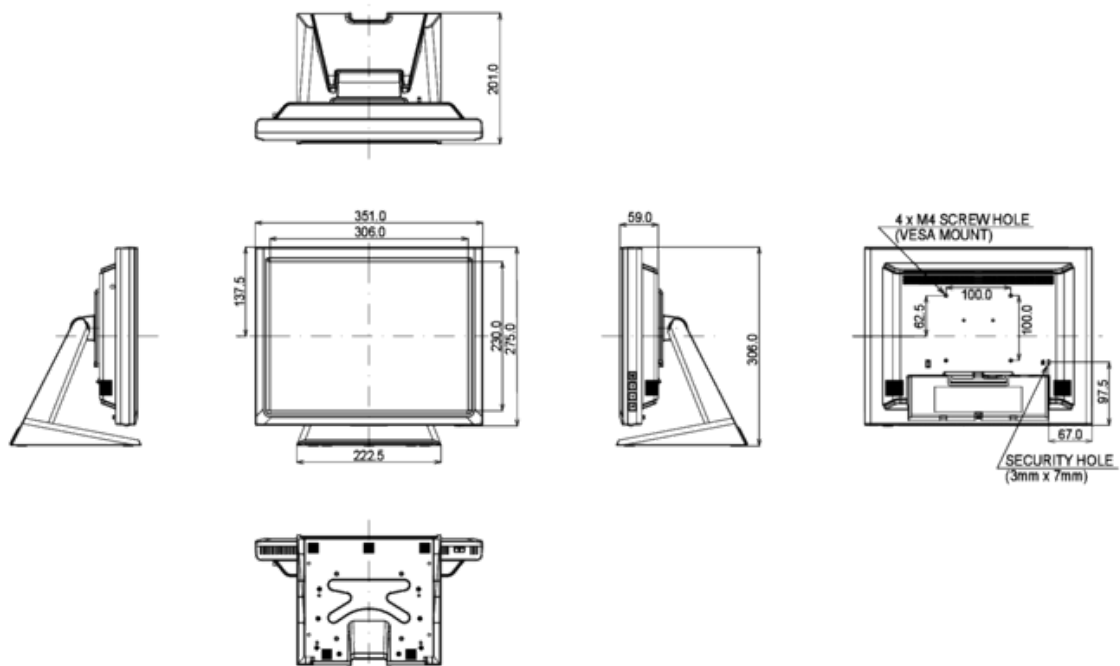
DRIVER	Windows (7, Vista, XP, 9X, 2000, CE, NT4), Linux, Mac (OSX, OS9), DOS
INCLUDED ACCESSORIES	power cable, D-Sub signal cable, DVI-D signal cable, RS-232C signal cable, audio cable, USB cable, Touch Panel Driver Disk (CD-ROM), screw, quick start guide

## 5. POWER MANAGEMENT

POWER SUPPLY	AC 100 - 240 V, 50 / 60 Hz
POWER SUPPLY UNIT	internal
POWER USAGE	20 W typical; max. 2 W in Power management mode
POWER MANAGEMENT	VESA DPMS

## 6. DIMENSIONS & WEIGHT

DIMENSIONS W X H X D	351 x 306 x 201 mm
WEIGHT	4.8 kg



All trademarks and registered trademarks acknowledged. E & O E. Specification subject to change without notice. All LCD's comply with ISO-9241-307:2008 in connection with pixel defects.

© IYAMA CORPORATION ( ). ALL RIGHTS RESERVED.