



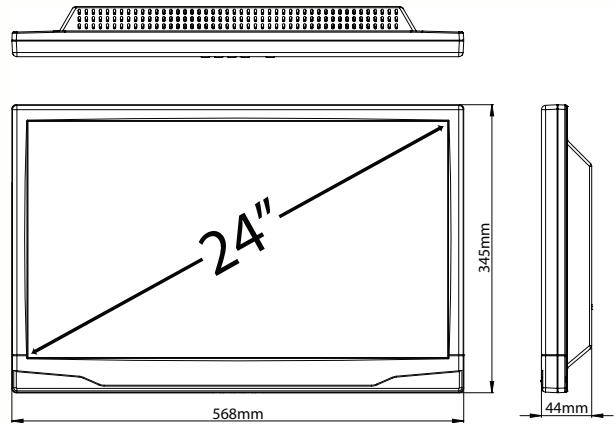
Medical Cart Monitor #LE24WDC-W

The new true 24" LE24WDC-W LED-Backlit Medical Cart Monitor – provides all the benefits and features for medical cart applications that the latest in technology can offer.

- 12 VDC input – *lower power consumption!*
- High specifications/resolution of 1920 x 1080
- Internal Speakers
- Finished in *medical white* cabinet color
- Power usage way below the average of a standard LCD.
- Slender and stylish



Stand shown for display purposes only



The LE24WDC-W is also the perfect choice for ECO-conscious medical users. The rugged internal VESA mounting plate means you can easily mount your monitor safe and secure to the cart or wall. Add dual Input support of Analog and DVI to ensure compatibility with the latest in graphics cards and you have the perfect monitor for all your needs!

Specifications

DESCRIPTION	LE24WDC-W
Panel Feature	
Panel type	24" Wide LCD panel (LED Backlight)
Screen size	609.60mm diagonal
Viewable size (H x V)	531.36mm x 298.89mm
Pixel pitch	0.277mm x 0.277mm
Viewing angle (L/R/T/B)	85 / 85 / 80 / 80
Contrast ratio / DCR	1,000:1/20,000,000:1
Brightness	250 cd/m ²
Resolution	1920 x 1080 Full HD
Display color	16.7M
Response time	5ms
Input Signal	
PC	FH: 31.5 – 80KHz, FV: 56 – 75Hz
	Standard: VESA Timing
	Connector: VGA D-Sub 15Pins + DVI-D Digital

Audio	
Input	Phone jack (Level: 1.0Vp-p) x 1
Speaker	Internal 1.5W x 2
Miscellaneous	
Power consumption	30W (Max.)
Cabinet color	Medical White
Dimension (Physical) W x H x D mm	568 x 345 x 40mm (without stand)
Net Weight	3.18Kg/7.01 lbs. (without stand)
VESA Mount (mm)	100 x 100
Power input	DC 12V
Power Management	VESA DPMS compatible
Plug and Play	EDID
User's control	Auto, -, +, Menu, Power on / off
Accessory	Users manual, DC power cable w/ termination rings, DVI cable, Stereo Audio cable
Operating temperature	0° ~ 40°C
Storage temperature	-20° ~ 60°C
Regulation	UL, FCC-B, CE, RoHS, WEEE, ErP