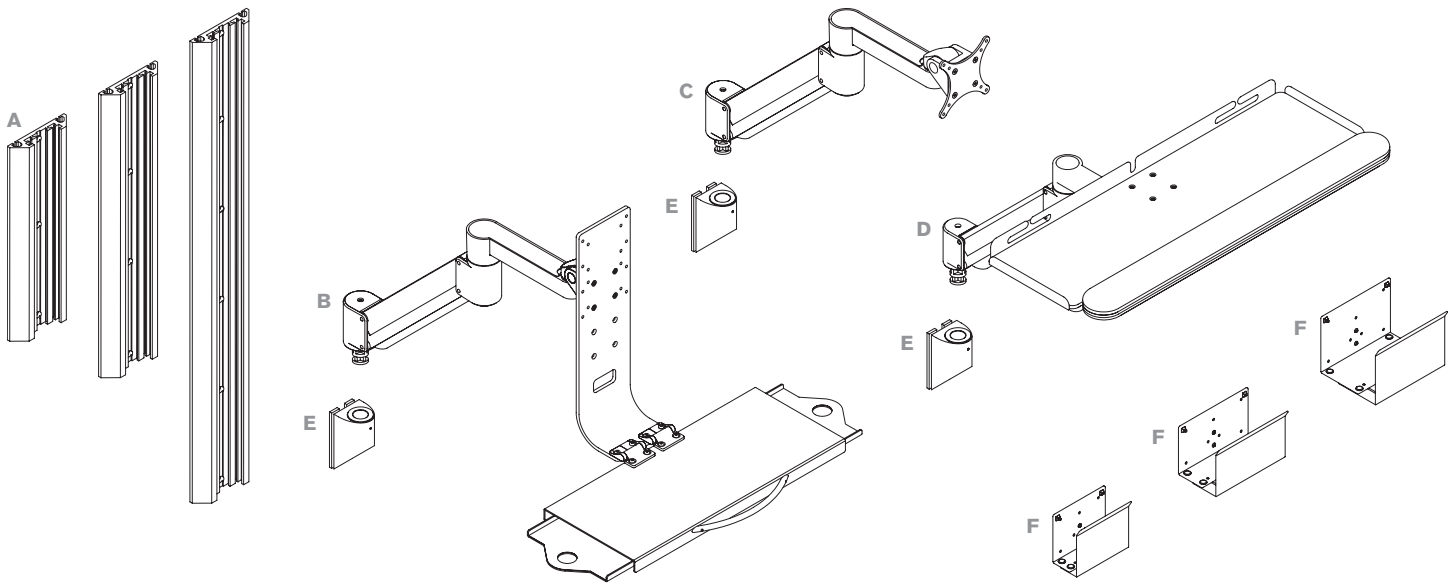


Model 8326

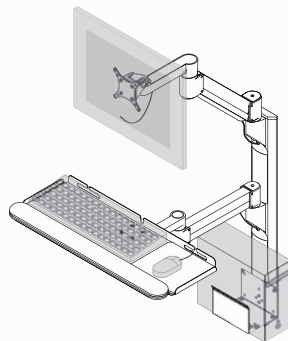
Specifications

TRACK SYSTEM COMPONENTS



HOW IT WORKS

This configurable solution can be customized to meet your needs—incorporate flexible LCD arms, keyboard arms, even a CPU holder. Cables are routed through track, and hidden behind a cable channel.



A Wall Track

Choose from three lengths: 13", 19" and 31". (Width of track is 4.4")

Model 8326

B Data Entry LCD Arm

Supports flat panel monitor and keyboard tray. (Requires track mount)

Model 7509

C LCD Arm

Add any Innovative LCD arm. (Requires track mount)

D Keyboard Arm

Accommodates keyboard and mouse. (Requires track mount)

Model 7000-7019

E Track Mount

Mounts arm to track.

Model 8328

F CPU Mount

Adjustable mount secures CPU.

Model 8335-SM, 2-3" wide
Model 8335-MD, 3-5" wide
Model 8335-LG, 5-7" wide



Phone: 800.524.2744 | Fax: 610.253.9521 | E-mail: sales@LCDarms.com | Web: www.LCDarms.com

This product is protected by one or more of the following U.S. Patent Nos., and other United States and foreign patents applied for: 119,345, 119,346, 1,324,842, 2,470,525, 6,076,785, 6,273,383, 6,409,134, 6,478,274, 6,499,704, 6,505,988, 6,609,691, 6,19,606, 6,719,253, 6,726,167, 6,736,364, 6,783,105, 6,854,698, 6,915,994, 6,935,883, 6,955,328, 6,983,917, 6,986,489, 7,014,157, 7,017,874, 7,048,242, 7,059,574, 7,063,296, 7,066,433, 7,066,435, 7,389,965, 7,665,699, D435,852, D491,952, D492,893, D670,853, D675,293.

LIT-1026 REV B